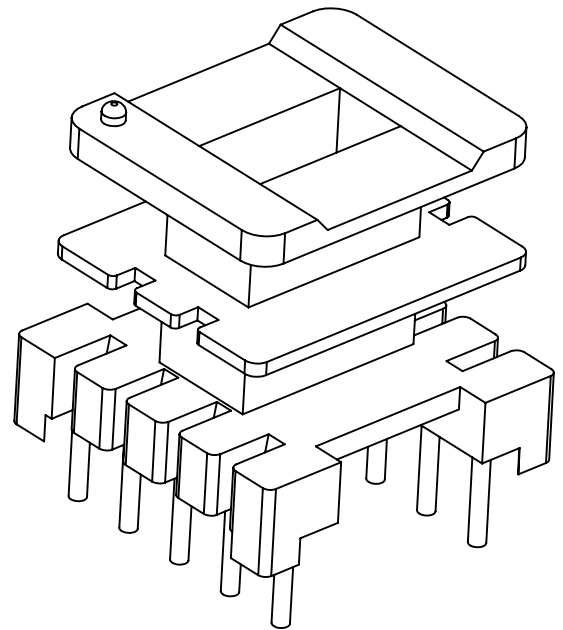


ER-1603



EI-1302-4